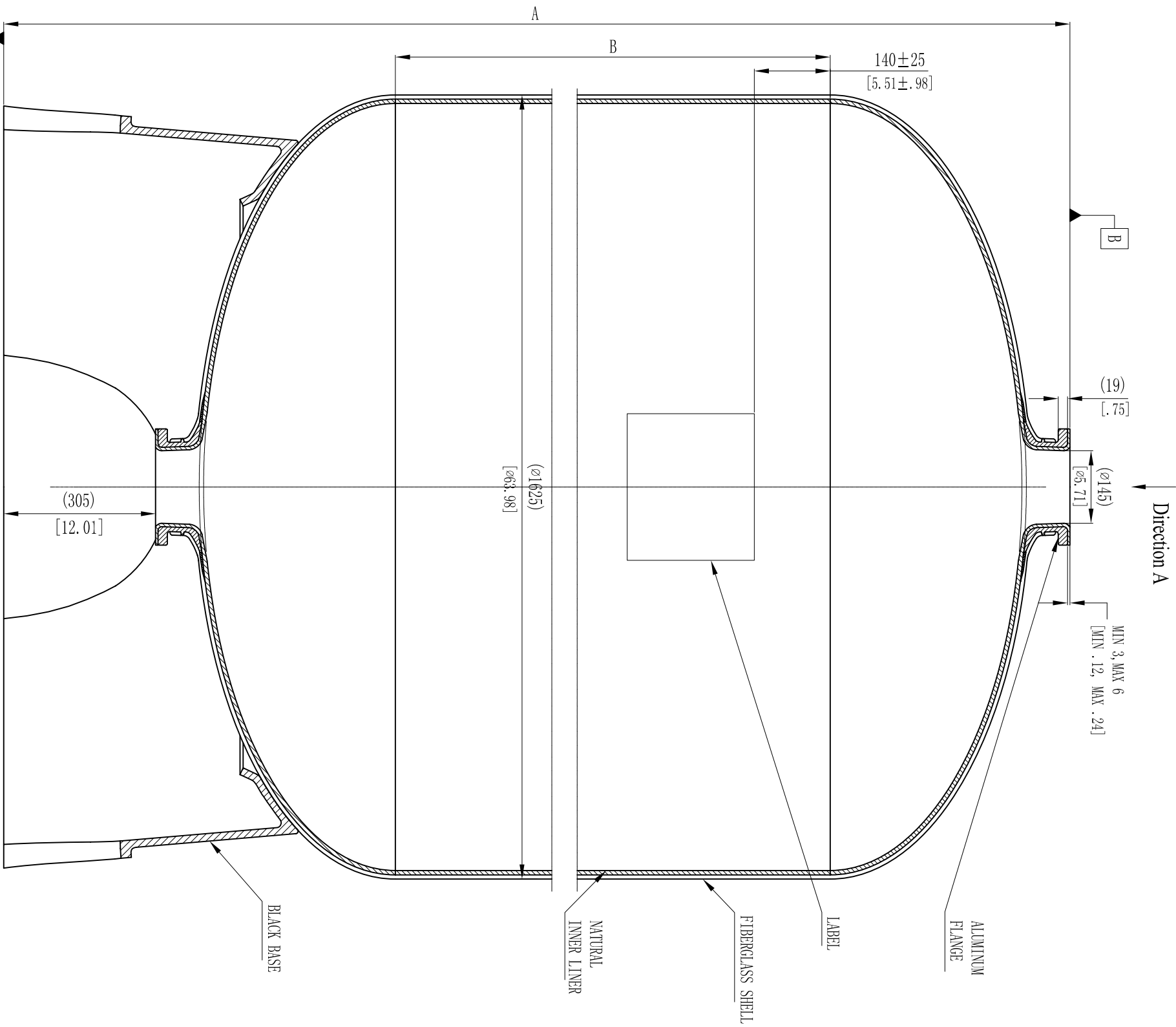
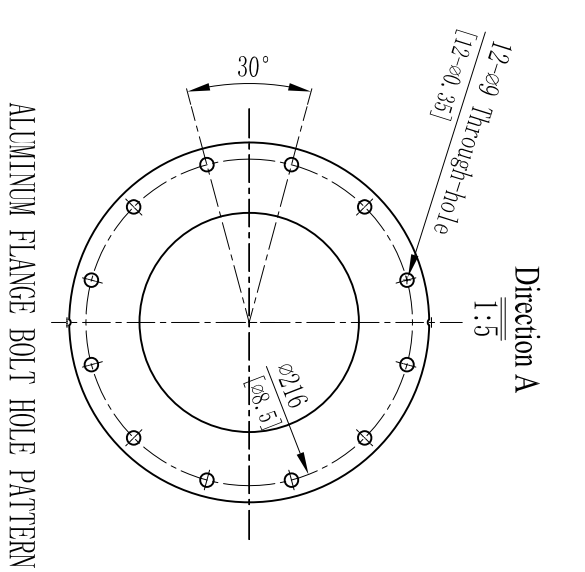


00-239211

MODEL	A		B		VOLUME		DOME VOLUME		STRAIGHT WALL AREA		WEIGHT		
	mm	inch	mm	inch	liters	U.S. gal	liters	U.S. gal	cubic FT	sq. m	sq. FT	Kg	LBS
63x67	(2025) ± 15	(79.72) ± 0.59	(728)	(28.66)	2590	684.2	542	143.2	19.15	3.60	38.75	306	673
63x86	(2453) ± 15	(96.57) ± 0.59	(1158)	(45.59)	3280	866.5	542	143.2	19.15	5.76	62.0	360	792



NOTES:

- TANK MUST MEET ALL APPLICABLE SPECIFICATIONS OF NSF/ANSI 044 STANDARD, LATEST REVISION.
- OPERATING SPECIFICATIONS:
  - MAXIMUM WORKING PRESSURE - 150 PSI (10.5BAR)
  - TEMPERATURE RANGE - 34-150 ° F (1-65°C)
  - MAXIMUM VACUUM - 5"Hg (127mm Hg)
- VISUAL LINER INSPECTION
  - NO MORE THAN 20 INTERNAL OR EXTERNAL BLEMISHES OR BURNT DEBRIS.
  - NO INTERNAL OR EXTERNAL BLEMISHES OR BURNT DEBRIS LARGER THAN 5×5mm.
  - NO INTERNAL BLEMISHES OR BURNT DEBRIS ALLOWED.
- ALL GLASS STRANDS FROM FIBERGLASS LINER TO BE BONDED AND COVERED.
- SURFACE TO BE FREE OF NICKS, SCRATCHES, RESIN AND GLASS.
- SURFACE FINISH.
- DIMENSIONS IN PARENTHESES ARE REFERENCE ONLY.
- TANK TO BE BONDED TO BASE.
- USING A STANDARD LEVEL WITH TANK POSITIONED ON A LEVEL SURFACE. DATUM B TO BE PARALLEL WITH DATUM A. BUBBLE OF LEVEL MUST FALL COMPLETELY WITHIN LINES WHEN MEASURED AT 90° INTERVALS WHEN PLACED ON THE TOP OF THE FLANGE.
- AFTER THE TANK IS LEVELED, IT IS RECOMMENDED THAT THE TANK BE BOLTED TO THE FLOOR IN SIX POSITIONS PER THE TRIPOD BASE BOLT HOLE PATTERN WITH 3/8" ANCHORS.

VERSION NO.	FIRST VERSION	DESCRIPTION OF CHANGES:	SIGNATURE	DATE	
0					
REPRESENTATIONAL PLASTIC SHRINKAGE (IF NECESSARY):					
SIGNATURE					
NAME		DATE			
DESIGN		SCALE			
INSPECTION		QUANTITY		MATERIAL	
APPROVAL		SMOOTHNESS		MODEL DESCRIPTION	
<p style="text-align: center;"><b>WAVE CYBER (SHANGHAI) CO., LTD.</b></p> <p style="text-align: center;">63" FRP PRESSURE VESSEL (DOUBLE FLANGE OPENING)</p>					
					PROJECTION
THIS PRODUCT DRAWING CAN NOT BE COPIED AND/OR USED WITHOUT PRIOR WRITTEN APPROVAL OF WAVE CYBER.					
DO NOT MEASURE THE DIMENSIONS.				UNIT: MM	TOTAL PAGE: 1