

### ■ Flow Rates (Top-Mount Valve Only)

- Service @ 15 psi (1.03 bar) drop ..... 50.0 gpm (11.4 m<sup>3</sup>/h)
- Backwash @ 25 psi (1.72 bar) drop ..... 48.0 gpm (10.9 m<sup>3</sup>/h)
- Service ..... Cv = 12.9 (Kv = 11.3)
- Backwash ..... Cv = 9.6 (Kv = 8.3)

### ■ Control Operation

- Control Configurations:
  - 962 Demand System
  - 962 Time Clock
- Cycles: 

	Length Programmable
Backwash .....	1 - 30 Minutes
Brine/Slow Rinse .....	1 - 125 Minutes
Fast Rinse .....	1 - 19 Minutes
- External Brine Valve Required – Float Fill

### ■ Valve Connections/Dimensions

- Tank Thread ..... 4-inch 8 UN
- Inlet/Outlet ..... 1-1/2-inch NPT or BSPT, Female
- Brine Line ..... 1/2-inch NPT or BSPT, Female
- Drain Line ..... 3/4-inch NPT or BSPT, Female  
*Valve installed drain flow controls available (4, 5, 6, 10, 15, and 25 gpm).  
If higher backwash flow is needed, an external flow control will be required.*
- Riser Tube Diameter ..... 1-1/4-inch ID, schedule 40 PVC  
(42.16 mm O.D. x 3.81 mm wall)
- Riser Installation ..... Cut Riser 3/16-inch below top of tank threads (±1/8-inch)

### ■ Flow Meter Options

- 1-inch Autotrol Turbine
- 2-inch Autotrol Turbine with 1-1/2-inch Connectors
- Alternate:
  - Fully programmable K-factor or meter factor

### ■ Electrical

- 115 VAC ..... 161 Watts
- 230 VAC ..... 207 Watts

### ■ Design Specifications/Ratings

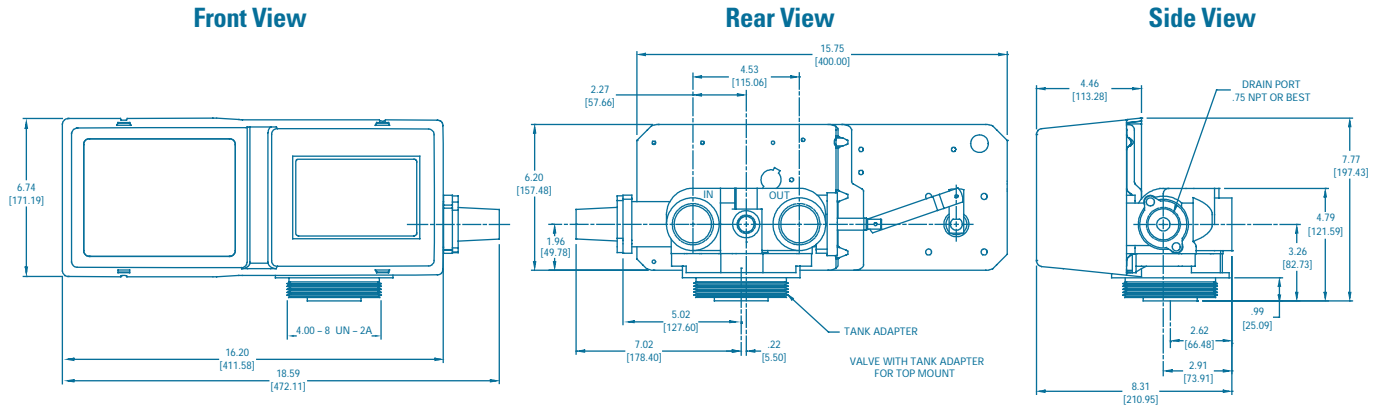
- Valve Body ..... Brass
- O-rings and Quad-seals ..... EPDM
- Injector ..... 3 sizes available:  
A, B, and C. Refer to Injector Flow Rate Chart on back
- Working Pressure ..... 20 psi – 100 psi (1.38 - 6.89 bar)
- Water Temperature ..... 35° - 100°F (2° - 38°C) 120°F (49°C) Ambient

### ■ Options

- Top Mount or Side Mount Configuration

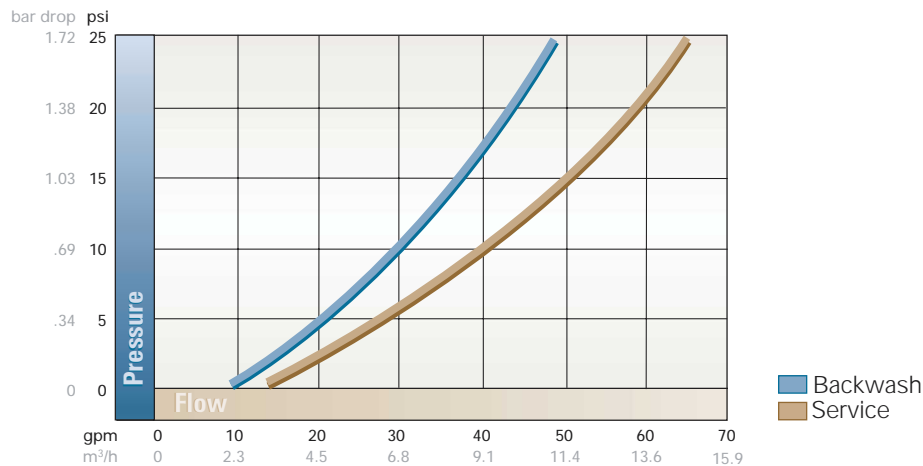
## Injector Flow Rate Chart

PSI (bar)	A Injector		B Injector		C Injector	
	Draw gpm (Lpm)	Slow Rinse gpm (Lpm)	Draw gpm (Lpm)	Slow Rinse gpm (Lpm)	Draw gpm (Lpm)	Slow Rinse gpm (Lpm)
20 (1.4)	0.7 (2.6)	0.8 (3.0)	0.8 (3.0)	1.2 (4.5)	0.8 (3.0)	2.2 (8.3)
30 (2.1)	1.1 (4.1)	1.0 (3.8)	1.2 (4.5)	1.6 (6.0)	1.2 (4.5)	2.8 (10.6)
60 (4.1)	1.3 (4.9)	1.2 (4.5)	1.3 (4.9)	1.7 (6.4)	1.5 (5.7)	3.3 (12.5)
80 (5.5)	1.4 (5.3)	1.4 (5.3)	1.5 (5.7)	2.0 (7.6)	1.7 (6.4)	3.8 (14.4)
100 (6.9)	1.4 (5.3)	1.5 (5.7)	1.5 (5.7)	2.2 (8.3)	1.8 (6.8)	4.1 (15.5)



**NOTE:** Dimensions are in inches [millimeters] and are shown for reference purposes only.

## Pressure Loss Characteristics



**For More Information:**  
Call **Osmonics** at **(815) 964-9421** or **(800) 245-9421**, or visit [www.osmonics.com](http://www.osmonics.com)



# OSMONICS

**North American Sales**  
Rockford Operations  
2412 Grant Avenue  
Rockford, IL  
61103-3991  
USA  
(815) 964-9421 Phone  
(815) 964-4449 Fax

**Euro/Africa Sales**  
230 rue Robert Schurman  
ZA des Uselles  
77350 Le Mée sur Seine  
FRANCE  
+33 1 64 10 2000 Phone  
+33 1 64 10 3747 Fax

**Asia/Pacifics Sales**  
1044/8 SOI 44/2  
Sukhumvit Road Parkanog  
Bangkok 10110  
THAILAND  
+66 2 38 14213 Phone  
+66 2 39 18183 Fax