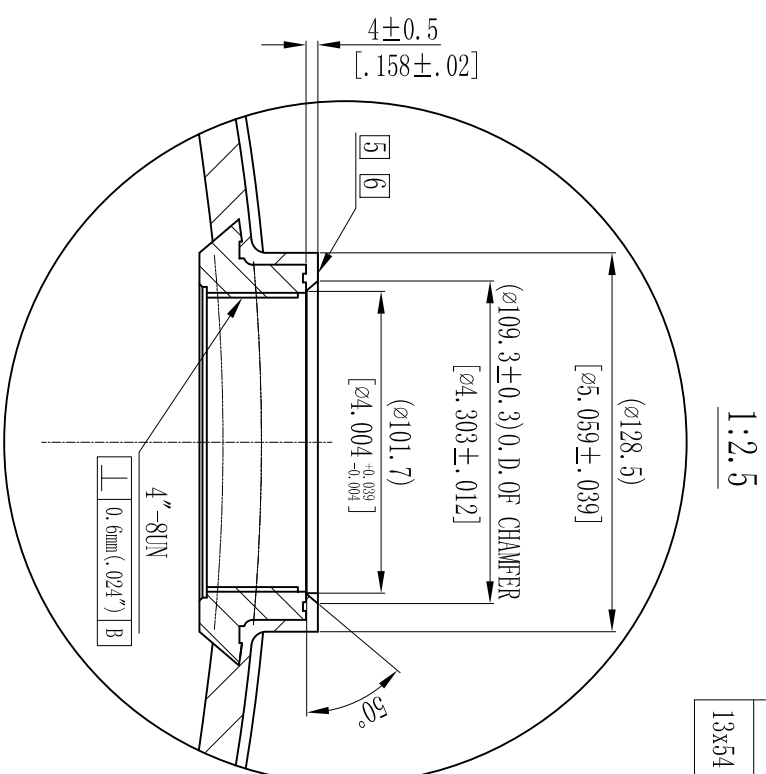
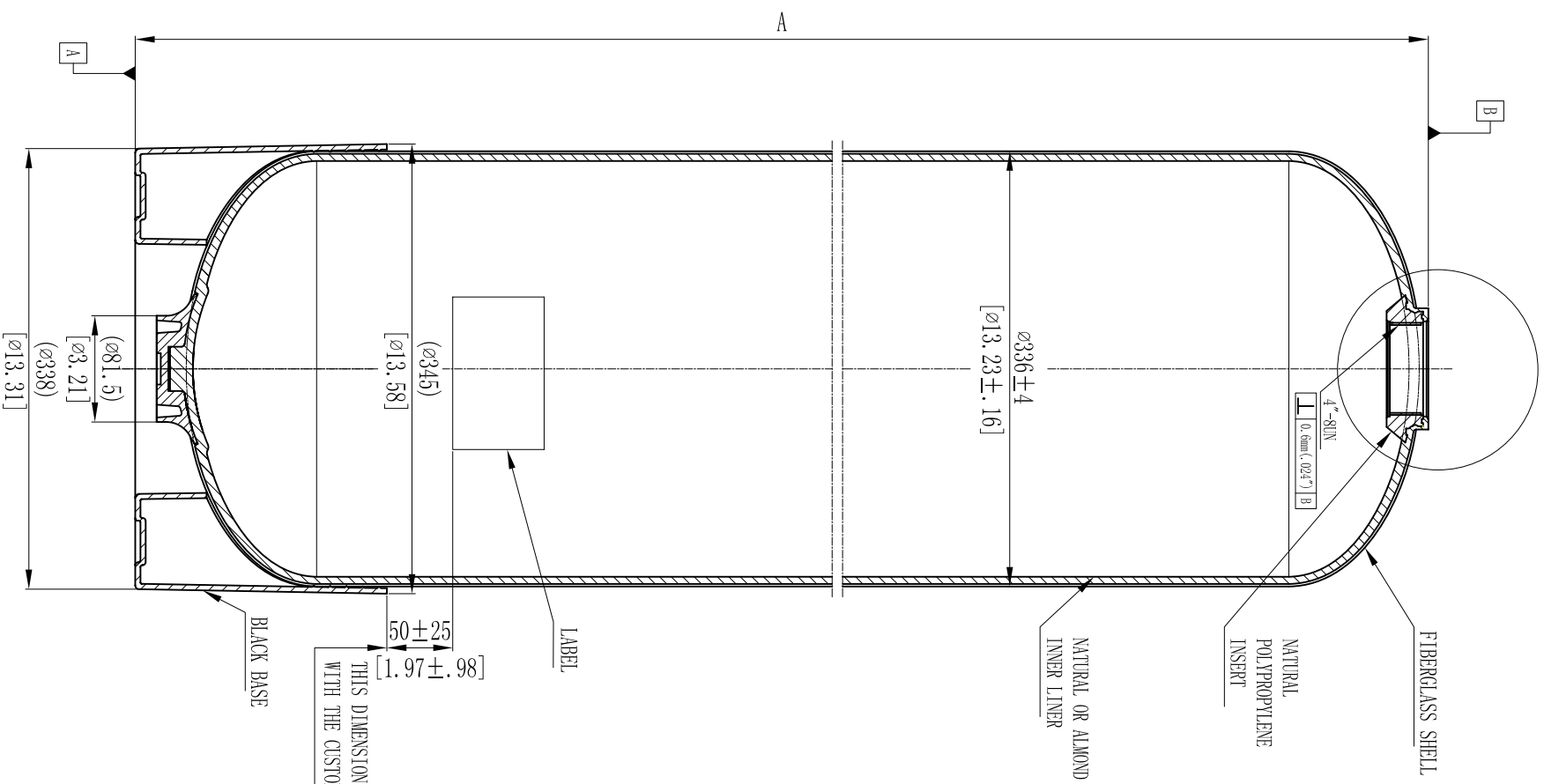


00-261111



MODEL	A			VOLUME			DOME VOLUME			WEIGHT	
	mm	inch	+/- mm inch	liters	U.S. gal	cubic FT	liters	U.S. gal	cubic FT	kg	LBS
13x35	911	35.87	6 .24	62.8	16.59	2.22	4.91	1.30	0.17	7.37	16.21
13x44	1140	44.88	6 .24	84.8	22.41	3.00	4.91	1.30	0.17	9.18	20.20
13x54	1393	54.84	6 .24	105.7	27.93	3.73	4.91	1.30	0.17	10.80	23.76

- NOTES:
- TANK MUST MEET ALL APPLICABLE SPECIFICATIONS OF NSF/ANSI 044 STANDARD, LATEST REVISION.
 - OPERATING SPECIFICATIONS:
 - MAXIMUM WORKING PRESSURE - 150 PSI (10.5BAR)
 - TEMPERATURE RANGE - 34-120° F (-49°C)
 - MAXIMUM VACUUM - 5"Hg (127mm Hg)
 - VISUAL LINER INSPECTION
 - NO MORE THAN 10 INTERNAL OR EXTERNAL BLEMISHES OR BURNT DEBRIS.
 - NO INTERNAL OR EXTERNAL BLEMISHES OR BURNT DEBRIS LARGER THAN 3×3mm.
 - NO INTERNAL BLEMISHES OR BURNT DEBRIS ALLOWED.
 - ALL GLASS STRANDS FROM FIBERGLASS LINER TO BE BONDED AND COVERED.
 - SURFACE TO BE FREE OF NICKS, SCRATCHES, RESIN AND GLASS.
 - SURFACE FINISH.
 - DIMENSIONS IN PARENTHESES ARE REFERENCE ONLY.
 - DIMENSIONS IN SQUARE PARENTHESES ARE INCH UNIT.
 - USING A STANDARD LEVEL WITH TANK POSITIONED ON A LEVEL SURFACE, DATUM B TO BE PARALLEL WITH DATUM A. BUBBLE OF LEVEL MUST FALL COMPLETELY WITHIN LINES WHEN MEASURED AT 90° INTERVALS.

THIS DIMENSION CAN BE CHANGED
WITH THE CUSTOMERS' REQUIREMENT

VERSION NO.	5	THIS DRAWING IS UPDATED COMPLYING WITH THE CHINESE VERSION	DATE	2010/12/14
REFERENTIAL PLASTIC SHRINKAGE (IF NECESSARY):			SIGNATURE	
SIGNATURE		WAVE CYBER (SHANGHAI) CO., LTD.		
DESIGN	NAME	DATE	SCALE	MATERIAL
INSPECTION			1 : 5	
APPROVAL			QUANTITY	SMOOTHNESS
THIS PRODUCT DRAWING CAN NOT BE COPIED AND/OR USED WITHOUT PRIOR WRITTEN APPROVAL OF WAVE CYBER.		PROJECTION	COMPUTER CODE	DRAWING NO.
		DO NOT MEASURE THE DIMENSIONS.	UNIT: MM	111132-00
			TOTAL PAGE: 1	VERSION NO. 5