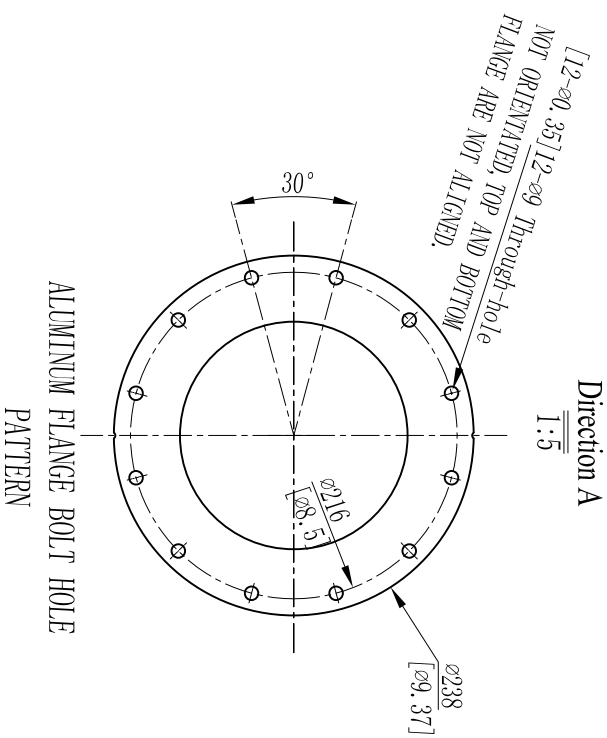


THIS DIMENSION CAN BE CHANGED WITH THE CUSTOMERS' REQUIREMENT



[12-ø0.35]12-ø9 Through-hole NOT ORIENTED, TOP AND BOTTOM FLANGE ARE NOT ALIGNED.

MODEL	VOLUME		DOME VOLUME		WEIGHT	
	liters	U.S. gal	liters	U.S. gal	kg	LBS
30x72	704	186.00	24.88	72.07	19.03	2.55
						94.4
						207.7

NOTES:

- TANK MUST MEET ALL APPLICABLE SPECIFICATIONS OF NSF/ANSI 044 STANDARD, LATEST REVISION.
- OPERATING SPECIFICATIONS:
 - A. MAXIMUM WORKING PRESSURE - 150 PSI (10.5BAR)
 - B. TEMPERATURE RANGE - 34-150 ° F (1-65°C)
 - C. MAXIMUM VACUUM - 5"Hg (127mm Hg)
- VISUAL LINER INSPECTION
 - A. NO MORE THAN 20 INTERNAL OR EXTERNAL BLEMISHES OR BURNT DEBRIS.
 - B. NO INTERNAL OR EXTERNAL BLEMISHES OR BURNT DEBRIS LARGER THAN 5×5mm.
 - C. NO INTERNAL BLEMISHES OR BURNT DEBRIS ALLOWED.
- ALL GLASS STRANDS FROM FIBERGLASS LINER TO BE BONDED AND COVERED.
- SURFACE TO BE FREE OF NICKS, SCRATCHES, RESIN AND GLASS.
- SURFACE FINISH.
- DIMENSIONS IN PARENTHESIS ARE REFERENCE ONLY.
- DIMENSIONS IN SQUARE PARENTHESIS ARE INCH UNIT.
- TANK TO BE BONDED TO BASE.
- USING A STANDARD LEVEL WITH TANK POSITIONED ON A LEVEL SURFACE, DATUM B TO BE PARALLEL WITH DATUM A. BUBBLE OF LEVEL MUST FALL COMPLETELY WITHIN LINES WHEN MEASURED AT 90° INTERVALS WHEN PLACED ON THE TOP OF THE FLANGE.
- AFTER THE TANK IS LEVELED, IT IS RECOMMENDED THAT THE TANK BE BOLTED TO THE FLOOR IN SIX POSITIONS PER THE TRIPOD BASE BOLT HOLE PATTERN WITH 3/8" ANCHORS.

5	THIS DRAWING IS UPDATED COMPLYING WITH THE CHINESE VERSION			2008/10/30
VERSION NO.	DESCRIPTION OF CHANGES:	SIGNATURE	DATE	
REFERENTIAL PLASTIC SHRINKAGE (IF NECESSARY):				
SIGNATURE				
DESIGN	NAME	DATE		
INSPECTION				
APPROVAL				
THIS PRODUCT DRAWING CAN NOT BE COPIED AND/OR USED WITHOUT PRIOR WRITTEN APPROVAL OF WAVE CYBER				
SCALE		MATERIAL	MODEL	
1 : 10			30" FRP PRESSURE VESSEL (SINGLE FLANGE OPENING)	
QUANTITY	SMOOTHNESS	COMPUTER CODE	DRAWING NO.	VERSION NO.
			113301-00	5
DO NOT MEASURE THE DIMENSIONS.			UNIT: MM	TOTAL PAGE: 1

WAVE CYBER (SHANGHAI) CO., LTD.